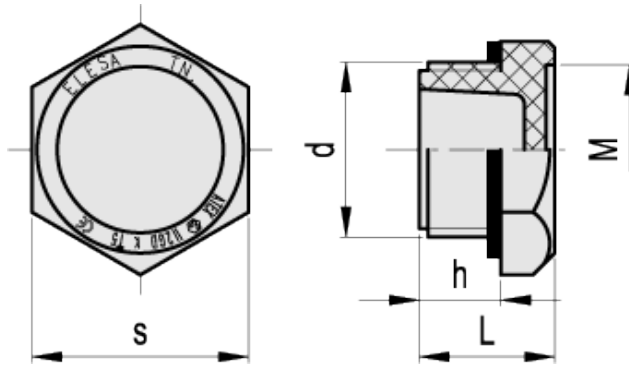


TN-EX

Plugs



ELESA Original design



technical informations

Material

Glass-fibre reinforced polyamide based (PA) technopolymer. Resistant to solvents, oils, greases and other chemical agents.

Colour

Black, matte finish.

Flat packing ring

NBR synthetic rubber.

ATEX directive compliance

The plugs of the TN-EX series comply with Health and Safety Requirements intended in 94/9/EC ATEX European Directive (explosive atmospheres) for equipments in Group II, category 2GD. Plugs have "k" protection degree and can therefore be mounted in equipments protected by means of "immersion in liquid", without lowering protection degree.

II 2 G D k T5, marked on the TN-EX plugs, represents the identification according to ATEX directive.

II: group of substances for which the product is suitable

2: identification of the category

G: identification of the type of explosive atmosphere (Gases or vapours)

D: identification of the type of explosive atmosphere (Dust)

k: protection degree by means of immersion in liquid (kX only for TN.3/4)

T5: temperature class

Ambient and/or fluid temperature: $-30 \div +100^{\circ}\text{C}$

The declaration of conformity to European Directives of this product is available and it is part of the product itself.

Technical data

The tightening torque indicated in the table guarantees an optimal tightness, keeping the packing ring in the correct position.

Standard Elements		Main dimensions					Tightening torque	Weight
Code	Description	d	h	s	L	M	[Nm]	g
58296-EX	TN.3/8-EX	G 3/8	9	22	16	17	8÷10	5
58297-EX	TN.1/2-EX	G 1/2	11	26	18	20.5	8÷10	8
58298-EX	TN.3/4-EX	G 3/4	12	32	20	25	10÷12	14



ELESA and GANTER models all rights reserved in accordance with the law. Always mention the source when reproducing our drawings.

STANDARD MACHINE ELEMENTS WORLDWIDE